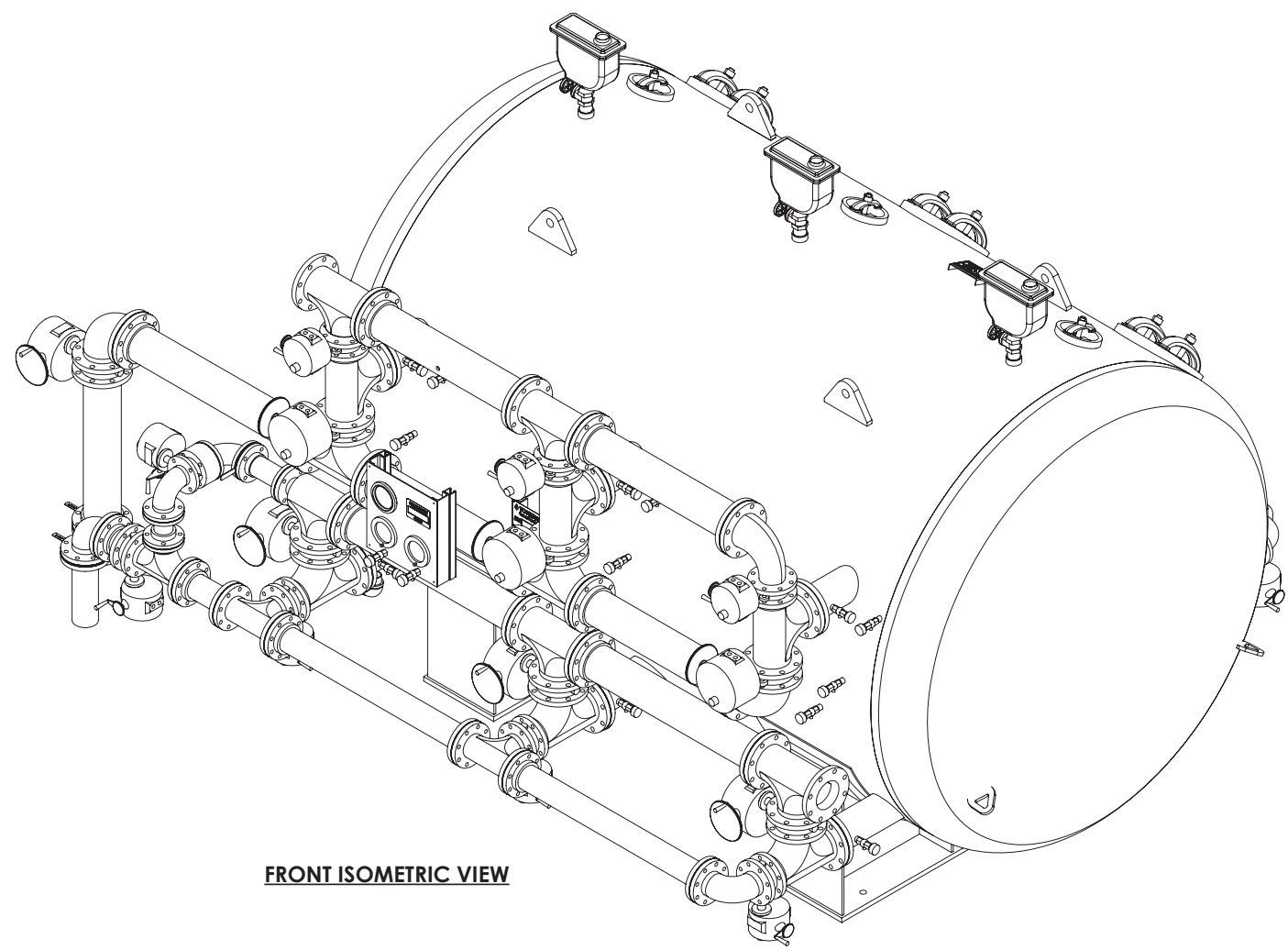
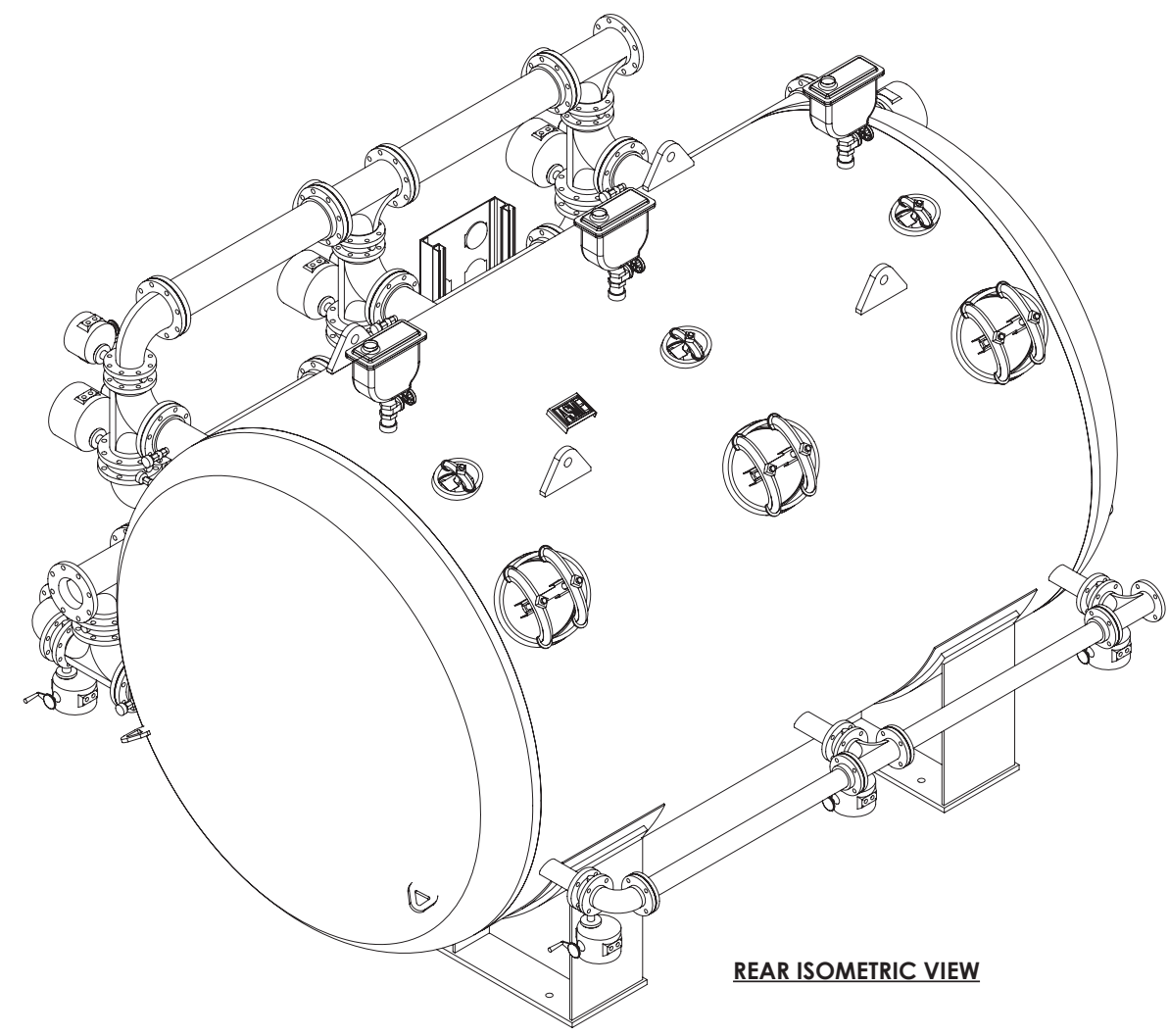


TONKAWATER™
A U.S. WATER BRAND

OptaCell Plus™ Pressure Filter System
Side Piped Isolated - 3 Cell
Catalog Drawing



FRONT ISOMETRIC VIEW



REAR ISOMETRIC VIEW

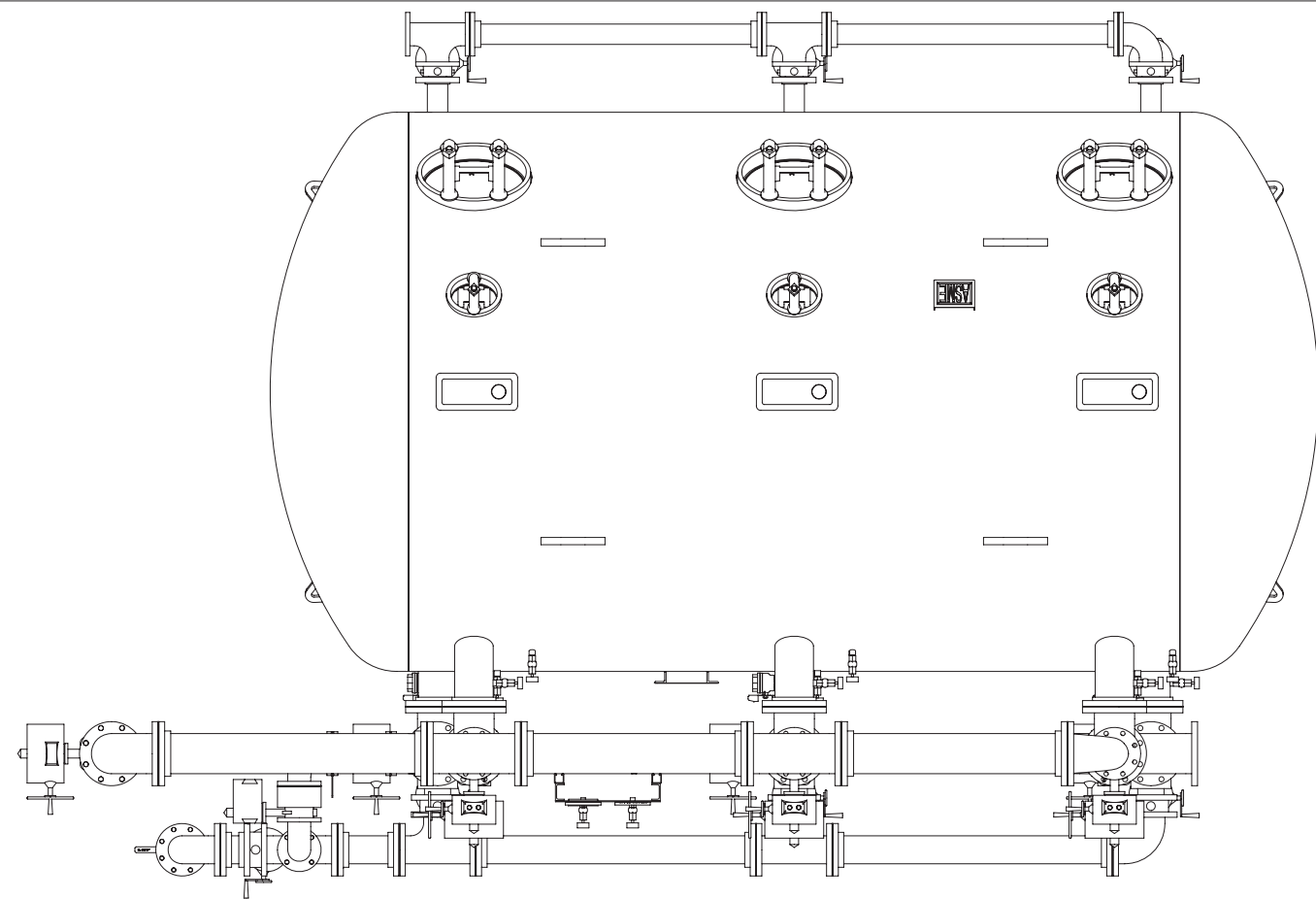
D ALL RIGHTS TO MANUFACTURE, COPY, REPRODUCE OR DISPOSE OF THIS DRAWING OR ITS CONTENTS ARE RESERVED UNLESS OTHERWISE SPECIFIED IN WRITING BY TONKA EQUIPMENT COMPANY. DO NOT SCALE DRAWING			
DRAWN BY: DDI	START DATE: 01/23/2014	THICKNESS:	
	DWG. SCALE: 1:16	LENGTH: 180"	
MATERIAL:	APPR. BY:	APPR. DATE:	APPROX. WEIGHT: 61800.8227

TONKAWATER™
A U.S. WATER BRAND

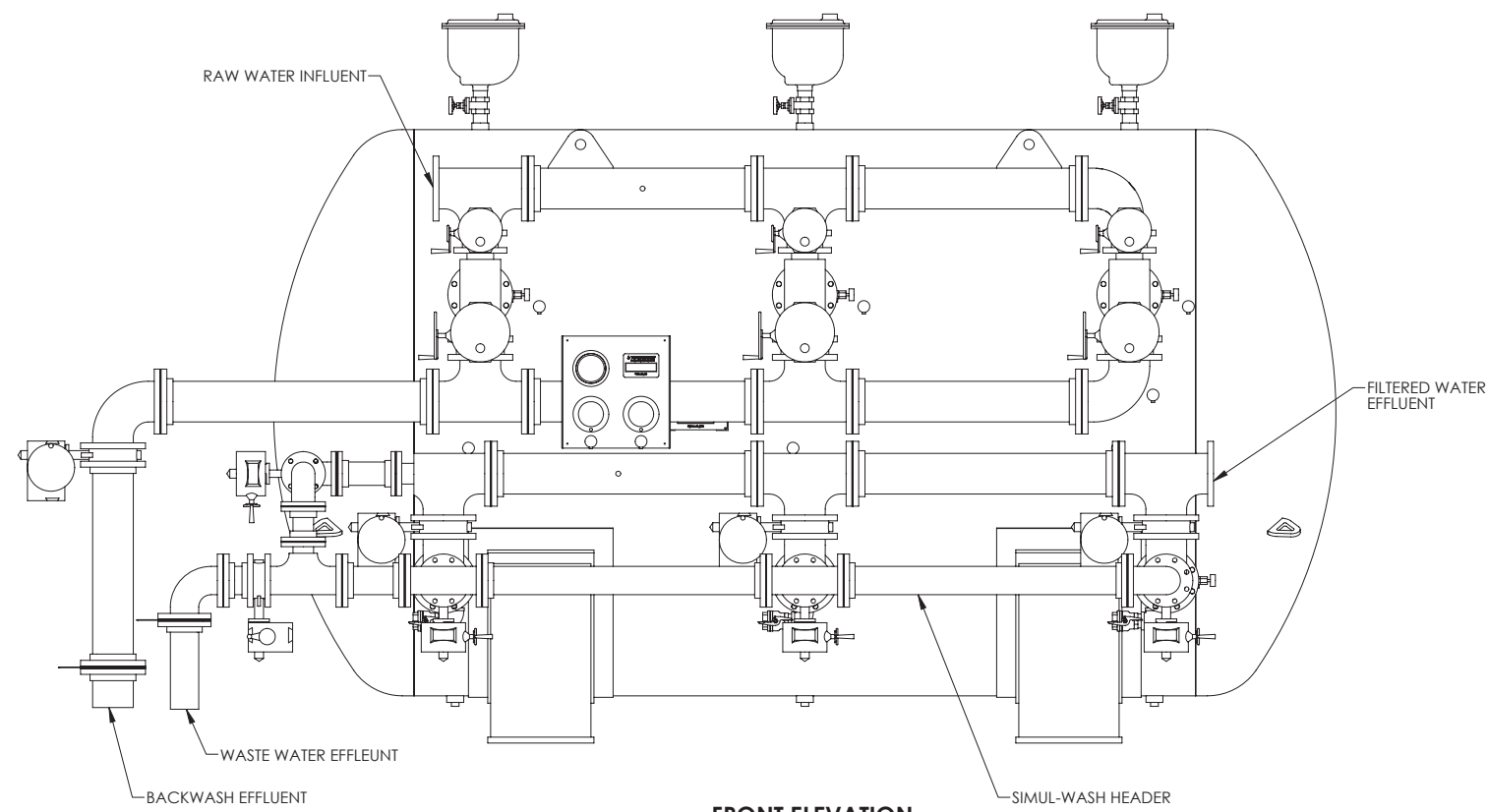
13305 WATERTOWER CIRCLE
PLYMOUTH, MN 55441
(763) 559-2837
www.tonkawater.com

OPTACELL PLUS™ PRESSURE FILTER SYSTEM
SIDE PIPED ISOLATED - 3 CELL
CATALOG DRAWING

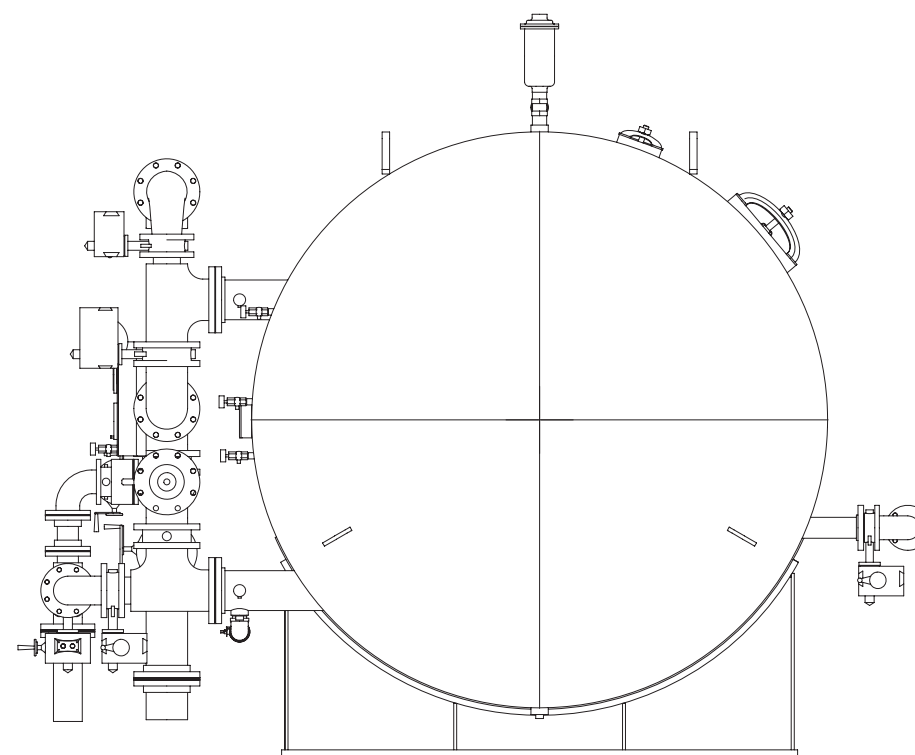
SHEET NUMBER: 1 OF 2	REV: 0
DRAWING NUMBER: 00064932	



PLAN VIEW



FRONT ELEVATION



RIGHT SIDE ELEVATION

D ALL RIGHTS TO MANUFACTURE, COPY, REPRODUCE OR DISPOSE OF THIS DRAWING OR ITS CONTENTS ARE RESERVED UNLESS OTHERWISE SPECIFIED IN WRITING BY TONKA EQUIPMENT COMPANY. DO NOT SCALE DRAWING			
DRAWN BY: DDI	START DATE: 01/23/2014	THICKNESS:	
	DWG. SCALE: 1:16	LENGTH: 180"	
APPR. BY:	APPR. DATE:	APPROX. WEIGHT: 61800.8227	

TONKAWATER™
A U.S. WATER BRAND

13305 WATERTOWER CIRCLE
PLYMOUTH, MN 55441
(763) 559-2837
www.tonkawater.com

OPTACELL PLUS™ PRESSURE FILTER SYSTEM
SIDE PIPED ISOLATED - 3 CELL
CATALOG DRAWING

SHEET NUMBER:
2 OF 2

REV:
0

DRAWING NUMBER:
00064932

MATERIAL: