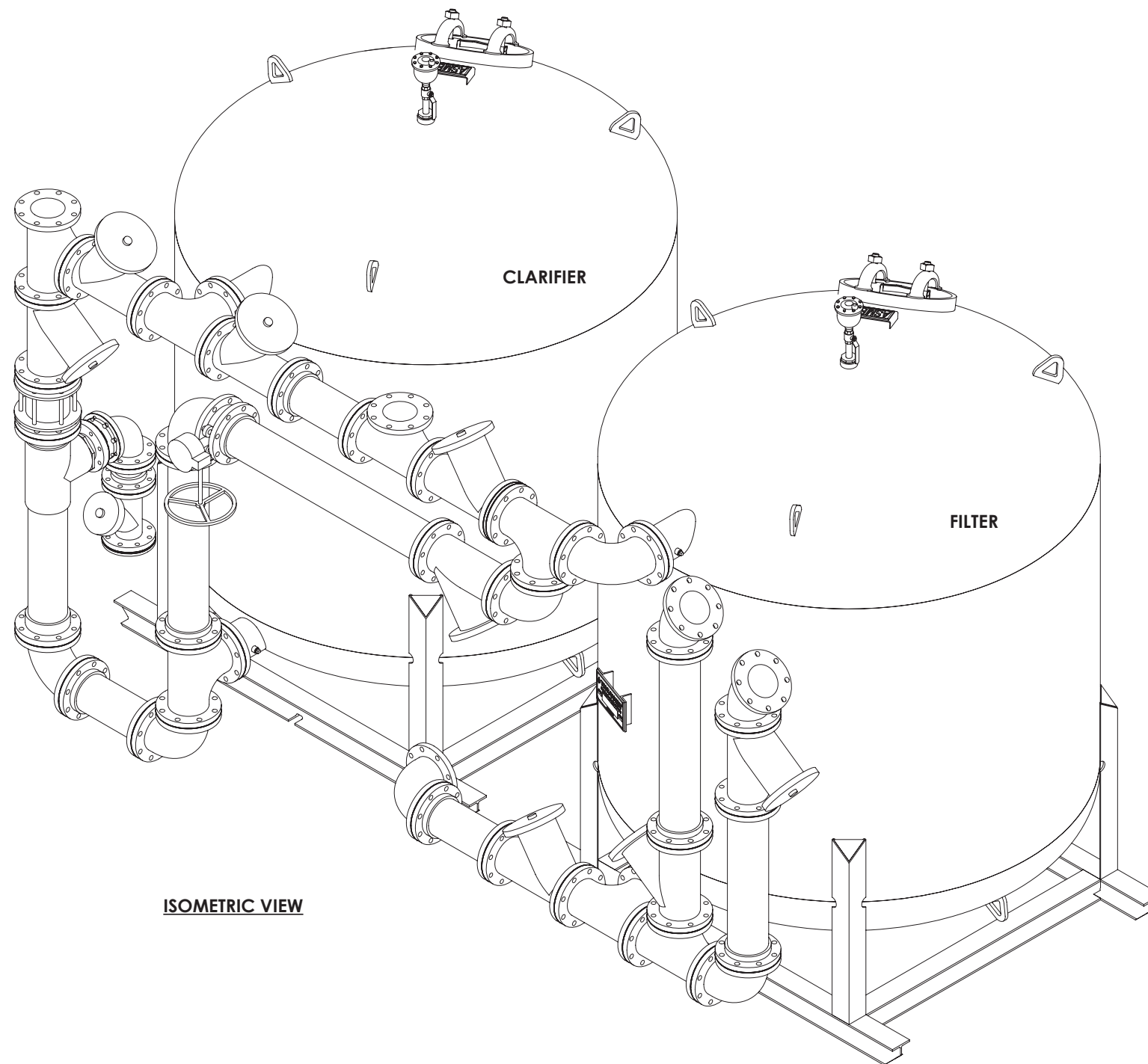




 **TONKAWATER**[™]
A U.S. WATER BRAND

Clari-Filt[™]

Catalog Drawing



ISOMETRIC VIEW

DRAWING SIZE: D		ALL RIGHTS TO MANUFACTURE, COPY, REPRODUCE OR DISPOSE OF THIS DRAWING OR ITS CONTENTS ARE RESERVED UNLESS OTHERWISE SPECIFIED IN WRITING BY TONKA EQUIPMENT COMPANY. DO NOT SCALE DRAWING	
DRAWN BY: RAC	START DATE: 04/18/2014	THICKNESS:	
	DWG. SCALE: 1:12	LENGTH:	
	APPR. DATE:	APPROX. WEIGHT: 49400.1088	

TONKAWATERTM
A U.S. WATER BRAND

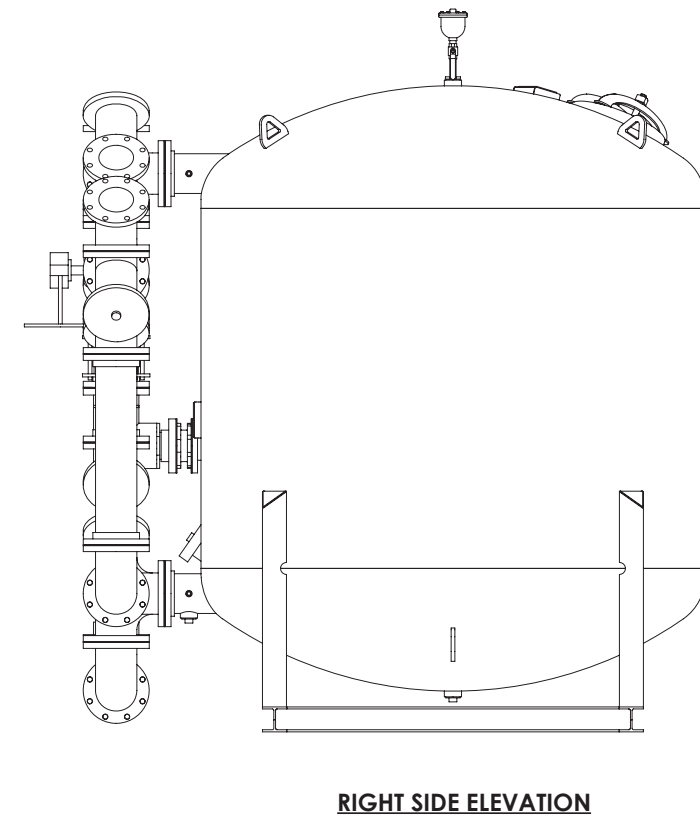
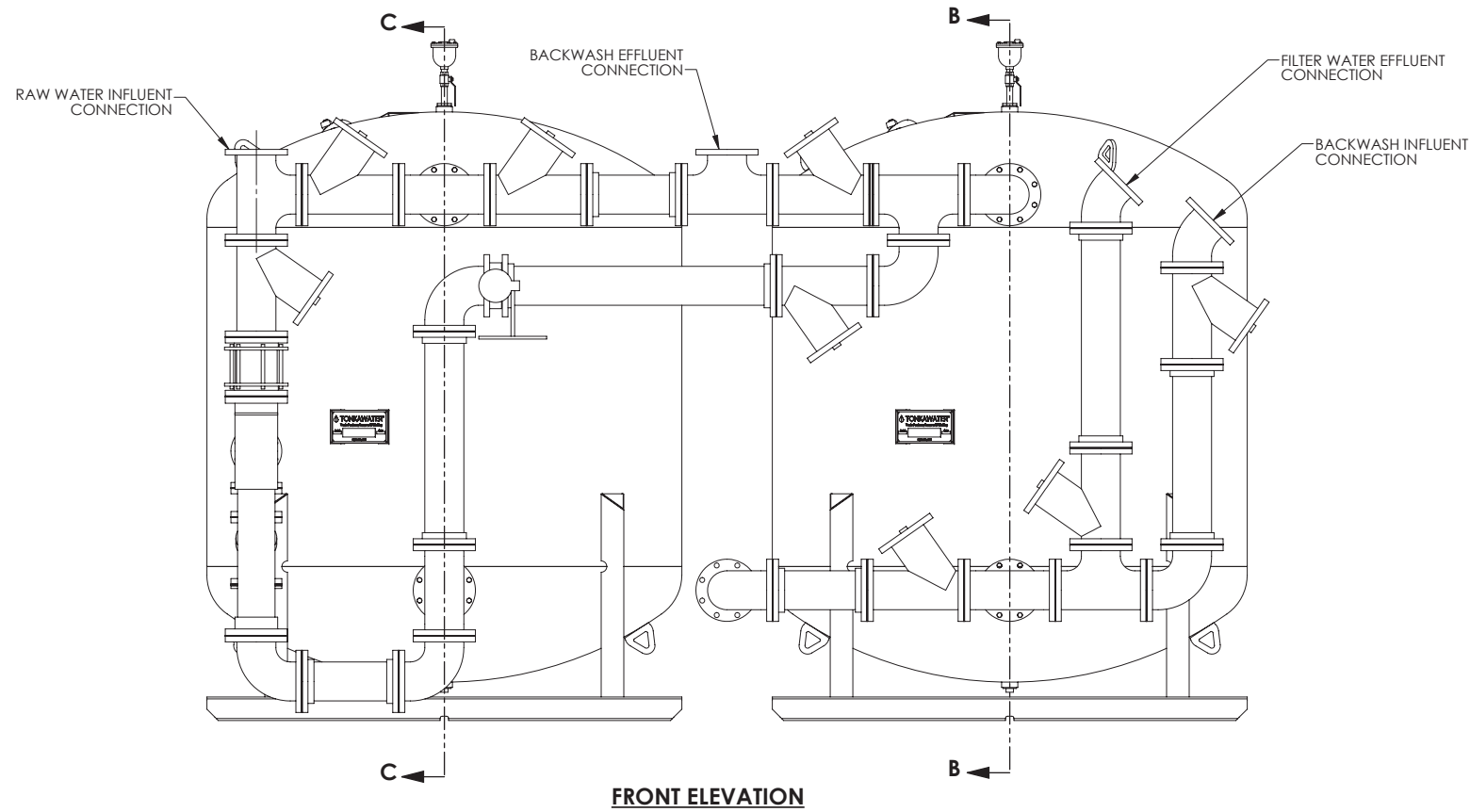
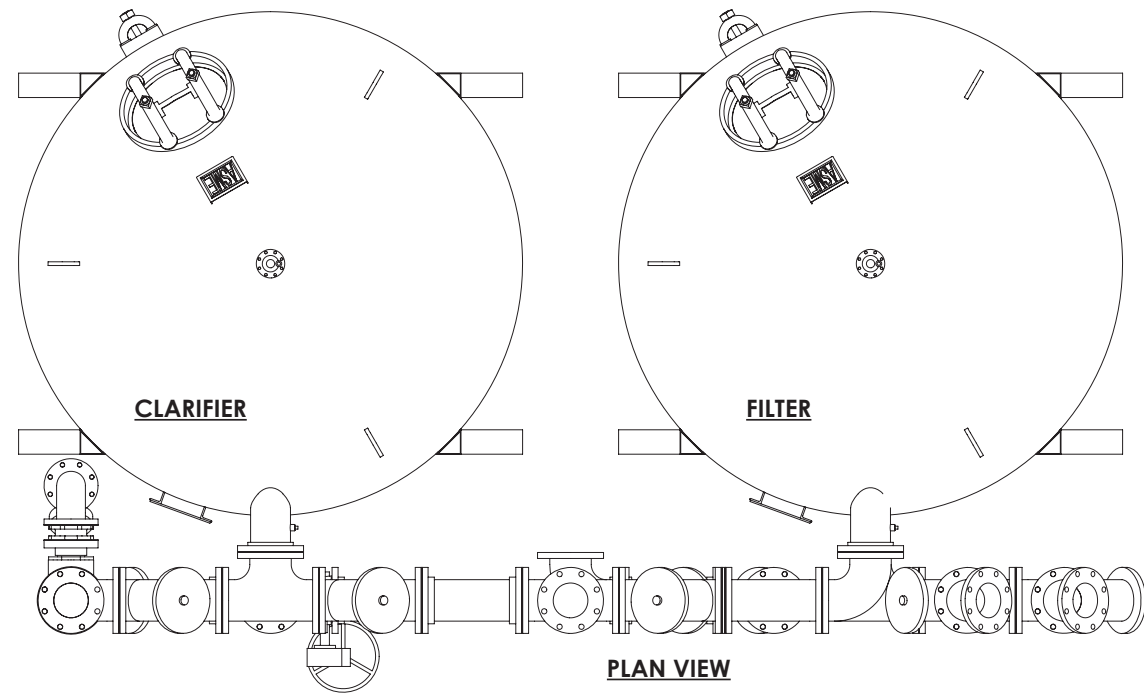
13305 WATERTOWER CIRCLE
PLYMOUTH, MN 55441
(763) 559-2837
www.tonkawater.com

CLARI-FILT
CATALOG DRAWING

SHEET NUMBER:
1 OF 2

REV:
0

DRAWING NUMBER:
CFT Iso Elev



D	ALL RIGHTS TO MANUFACTURE, COPY, REPRODUCE OR DISPOSE OF THIS DRAWING OR ITS CONTENTS ARE RESERVED UNLESS OTHERWISE SPECIFIED IN WRITING BY TONKA EQUIPMENT COMPANY. DO NOT SCALE DRAWING		
	DRAWN BY: RAC	START DATE: 04/18/2014	THICKNESS:
		DWG. SCALE: 1:16	LENGTH:
	APPR. BY:	APPR. DATE:	APPROX. WEIGHT: 49400.1088

TONKAWATER
A U.S. WATER BRAND

13305 WATERTOWER CIRCLE
PLYMOUTH, MN 55441
(763) 559-2837
www.tonkawater.com

CLARI-FILT
CATALOG DRAWING

SHEET NUMBER:
2 OF 2

REV:
0

DRAWING NUMBER:
CFT Iso Elev