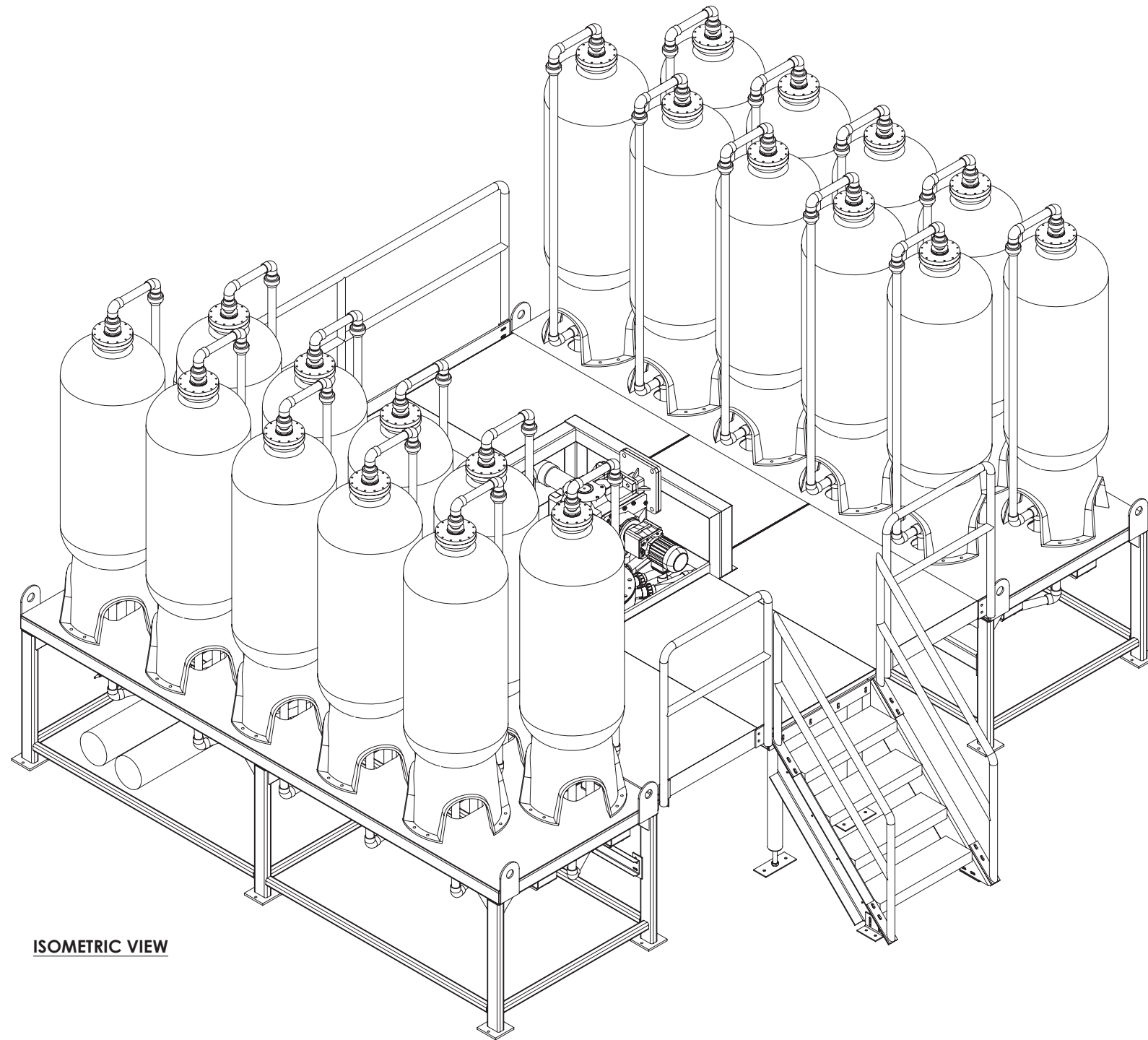




 **TONKAWATER™**
A U.S. WATER BRAND

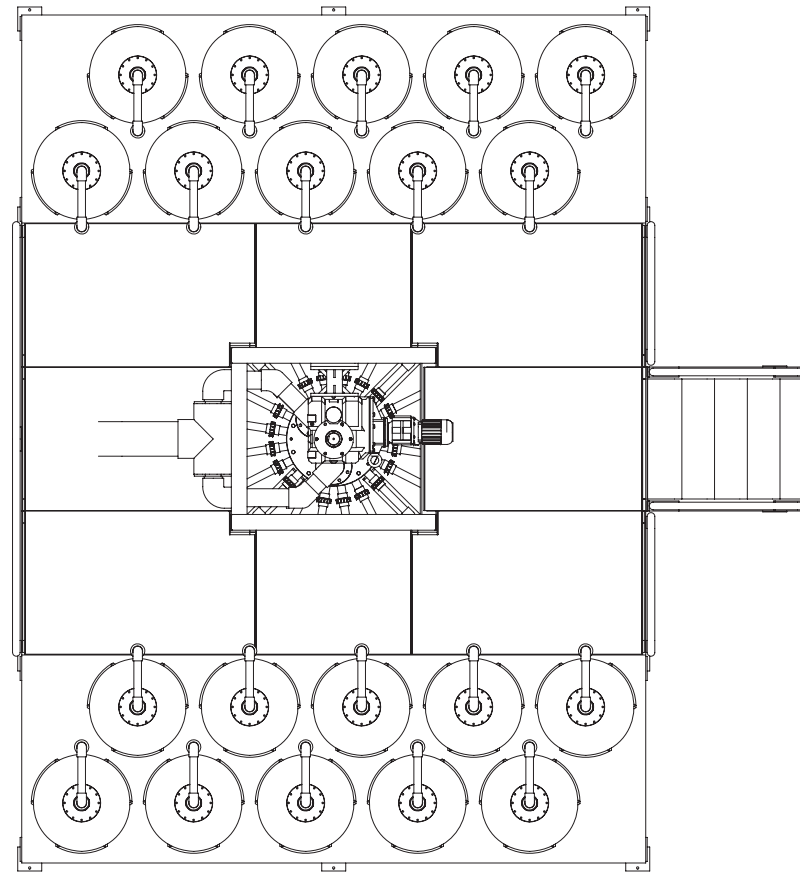
Pur-IX™

Catalog Drawing

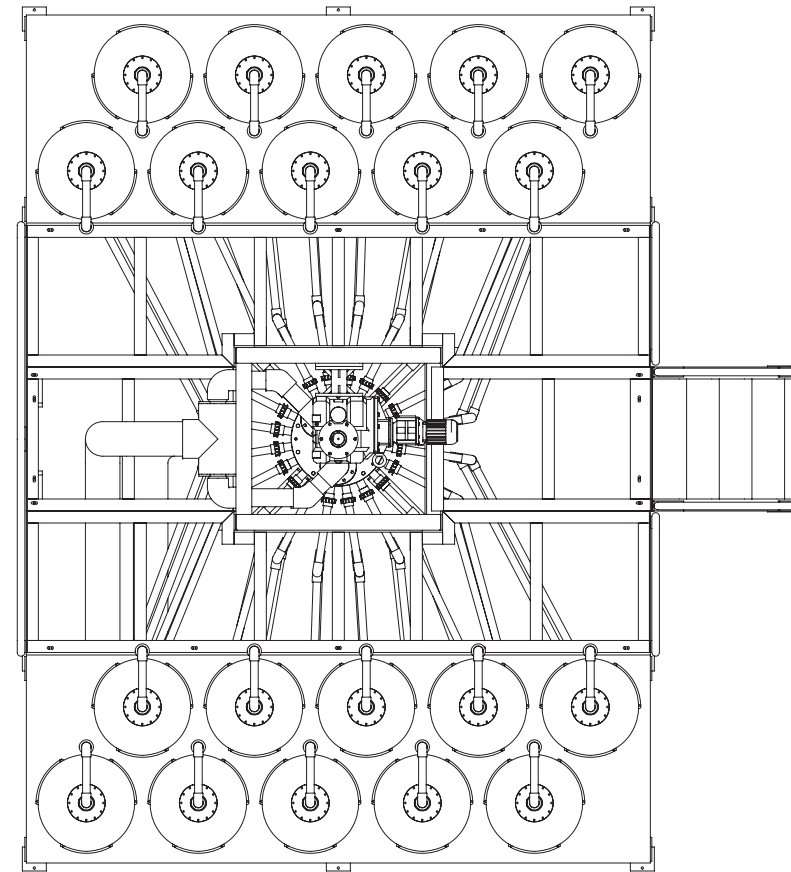


ISOMETRIC VIEW

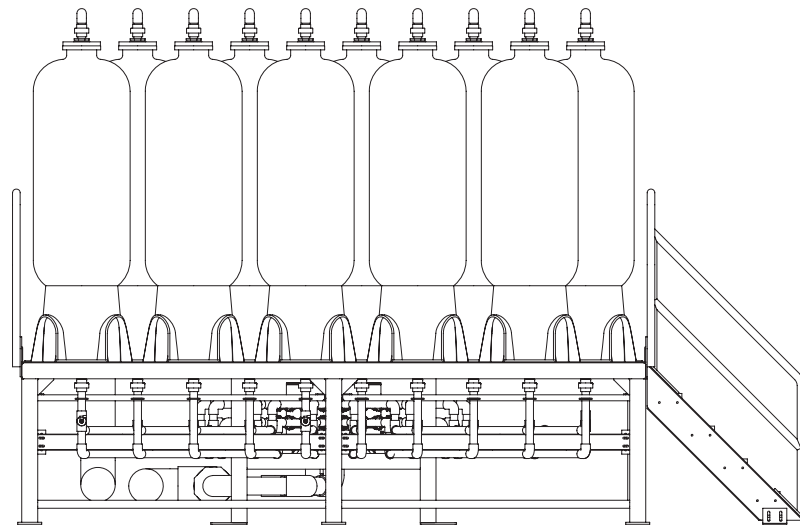
DRAWING SIZE: D		ALL RIGHTS TO MANUFACTURE, COPY, REPRODUCE OR DISPOSE OF THIS DRAWING OR ITS CONTENTS ARE RESERVED UNLESS OTHERWISE SPECIFIED IN WRITING BY TONKA EQUIPMENT COMPANY. DO NOT SCALE DRAWING		13305 WATERTOWER CIRCLE PLYMOUTH, MN 55441 (763) 559-2837 www.tonkawater.com	
DRAWN BY: RAC	START DATE: 04/04/2014	THICKNESS:	REV: 0		
	DWG. SCALE: 1:16	LENGTH:	SHEET NUMBER: 1 OF 2		
MATERIAL:	APPR. BY:	APPROX. WEIGHT: 42674.4325	DRAWING NUMBER: 00066392		
			TONKAWATER™ A U.S. WATER BRAND		
			PUR-IX™		
			CATALOG DRAWING		



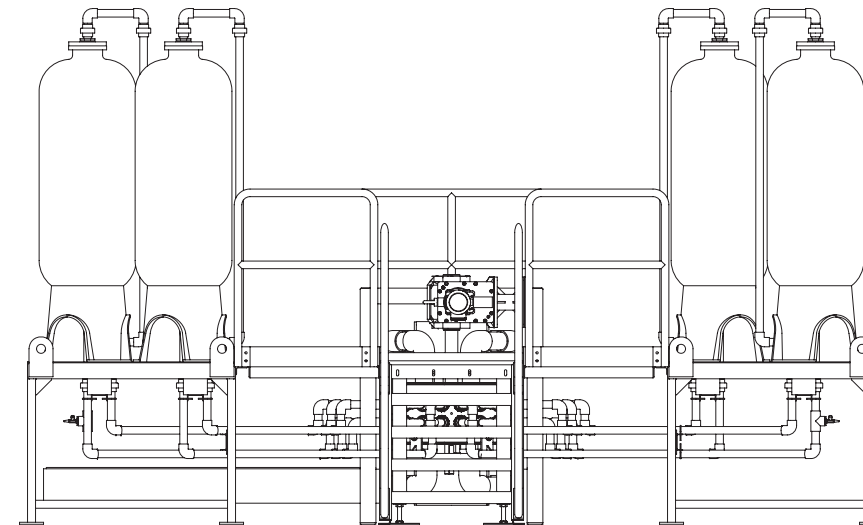
PLAN VIEW



PLAN VIEW
(BAR GRATING NOT SHOWN)



FRONT ELEVATION



RIGHT SIDE ELEVATION

DRAWING SIZE: D			ALL RIGHTS TO MANUFACTURE, COPY, REPRODUCE OR DISPOSE OF THIS DRAWING OR ITS CONTENTS ARE RESERVED UNLESS OTHERWISE SPECIFIED IN WRITING BY TONKA EQUIPMENT COMPANY. DO NOT SCALE DRAWING		
DRAWN BY: RAC	START DATE: 04/04/2014	THICKNESS:			
	DWG. SCALE: 1:24	LENGTH:			
APPR. BY:	APPR. DATE:	APPROX. WEIGHT: 42674.4325			

TONKAWATER™
A U.S. WATER BRAND

13305 WATERTOWER CIRCLE
PLYMOUTH, MN 55441
(763) 559-2837
www.tonkawater.com

PUR-IX™
CATALOG DRAWING

SHEET NUMBER:
2 OF 2

REV:
0

DRAWING NUMBER:
00066392