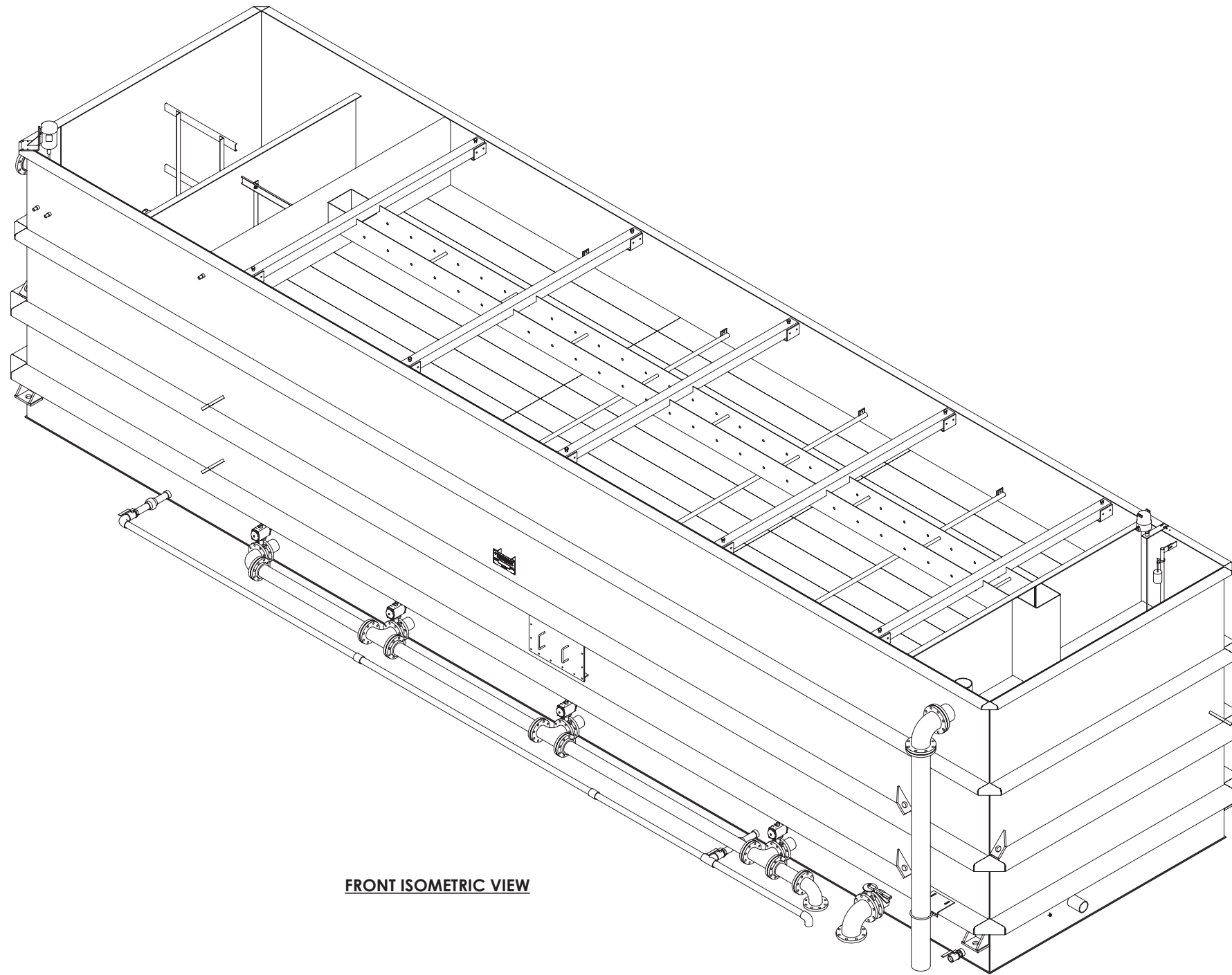


TONKAWATER™
A U.S. WATER BRAND

Unitized Treatment System™
Settling Tubes / Clearwell
Catalog Drawing

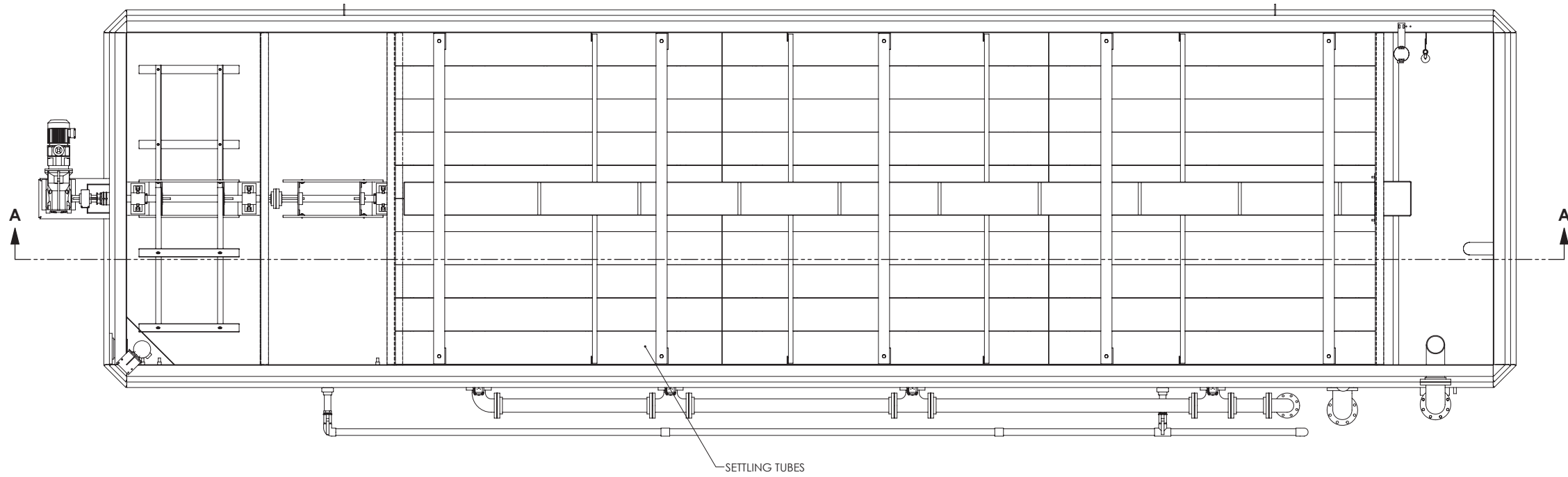


FRONT ISOMETRIC VIEW

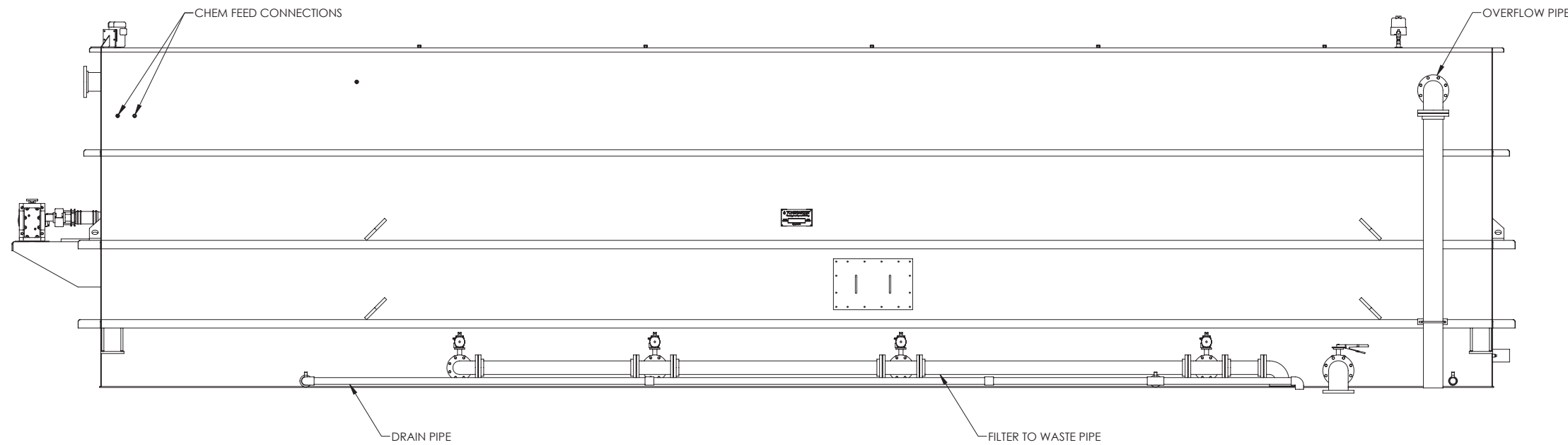
DRAWING SIZE: D		ALL RIGHTS TO MANUFACTURE, COPY, REPRODUCE OR DISPOSE OF THIS DRAWING OR ITS CONTENTS ARE RESERVED UNLESS OTHERWISE SPECIFIED IN WRITING BY TONKA EQUIPMENT COMPANY. DO NOT SCALE DRAWING		13305 WATERTOWER CIRCLE PLYMOUTH, MN 55441 (763) 559-2837 www.tonkawater.com	
DRAWN BY: RAC	START DATE: 04/17/2014	THICKNESS:		SHEET NUMBER: 1 OF 3	REV: 0
	DWG. SCALE: 1:24	LENGTH:	492"	DRAWING NUMBER: 00066659	
MATERIAL:	APPR. BY:	APPR. DATE:	APPROX. WEIGHT: 79931.5494		

TONKAWATER™
A U.S. WATER BRAND

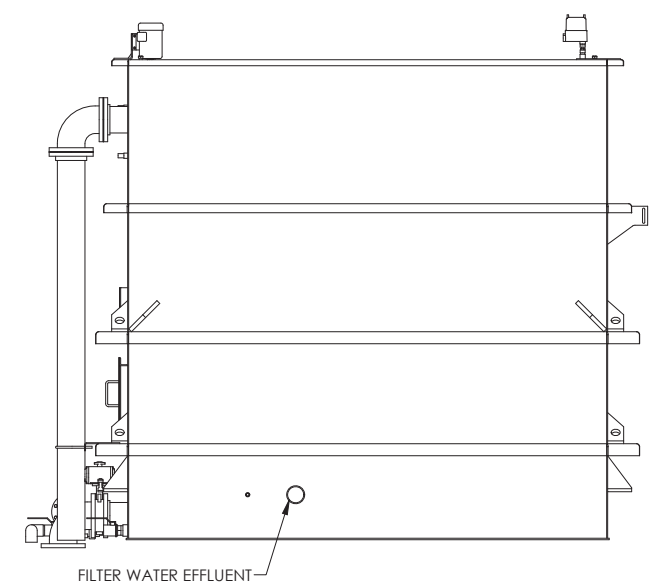
**UNITIZED TREATMENT SYSTEM
SETTLING TUBES / CLEARWELL
CATALOG DRAWING**



PLAN VIEW



FRONT ELEVATION



RIGHT SIDE ELEVATION

D			ALL RIGHTS TO MANUFACTURE, COPY, REPRODUCE OR DISPOSE OF THIS DRAWING OR ITS CONTENTS ARE RESERVED UNLESS OTHERWISE SPECIFIED IN WRITING BY TONKA EQUIPMENT COMPANY. DO NOT SCALE DRAWING		
DRAWN BY: RAC	START DATE: 04/17/2014	THICKNESS:	DWG. SCALE: 1:24	LENGTH: 492"	
APPR. BY:	APPR. DATE:	APPROX. WEIGHT: 79931.5494			

TONKAWATER
A U.S. WATER BRAND

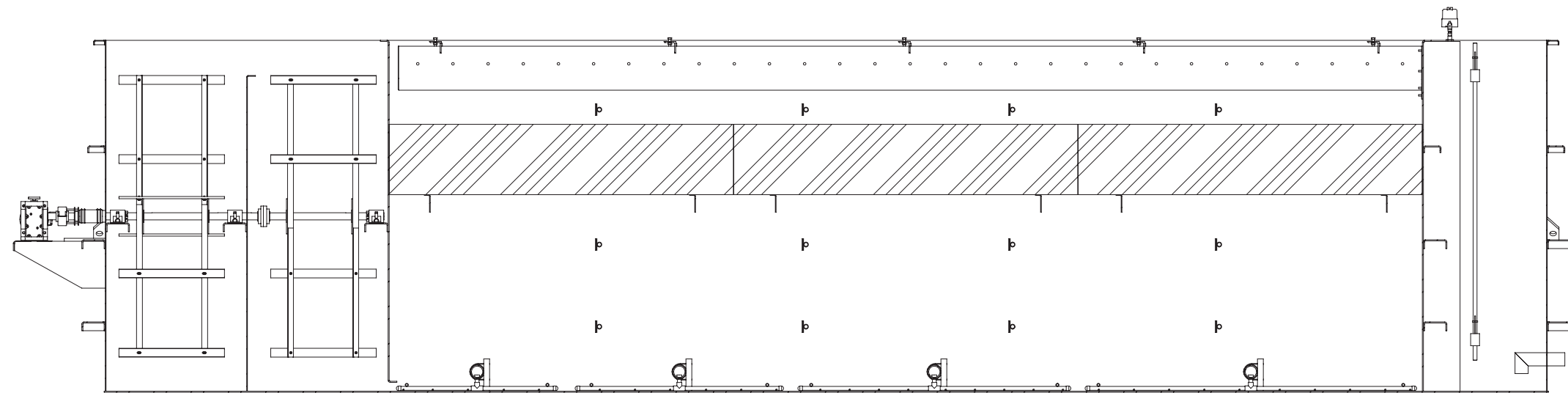
13305 WATERTOWER CIRCLE
PLYMOUTH, MN 55441
(763) 559-2837
www.tonkawater.com

**UNITIZED TREATMENT SYSTEM
SETTLING TUBES / CLEARWELL
CATALOG DRAWING**

SHEET NUMBER:
2 OF 3

REV:
0

DRAWING NUMBER:
00066659



SECTION A-A

DRAWING SIZE: D		ALL RIGHTS TO MANUFACTURE, COPY, REPRODUCE OR DISPOSE OF THIS DRAWING OR ITS CONTENTS ARE RESERVED UNLESS OTHERWISE SPECIFIED IN WRITING BY TONKA EQUIPMENT COMPANY. DO NOT SCALE DRAWING		13305 WATERTOWER CIRCLE PLYMOUTH, MN 55441 (763) 559-2837 www.tonkawater.com	
DRAWN BY: RAC	START DATE: 04/17/2014	THICKNESS:		SHEET NUMBER: 3 OF 3	
	DWG. SCALE: 1:24	LENGTH: 492"		REV: 0	
MATERIAL:	APPR. BY:	APPR. DATE:	APPROX. WEIGHT: 79931.5494	DRAWING NUMBER: 00066659	

TONKAWATER
A U.S. WATER BRAND

**UNITIZED TREATMENT SYSTEM
SETTLING TUBES / CLEARWELL
CATALOG DRAWING**