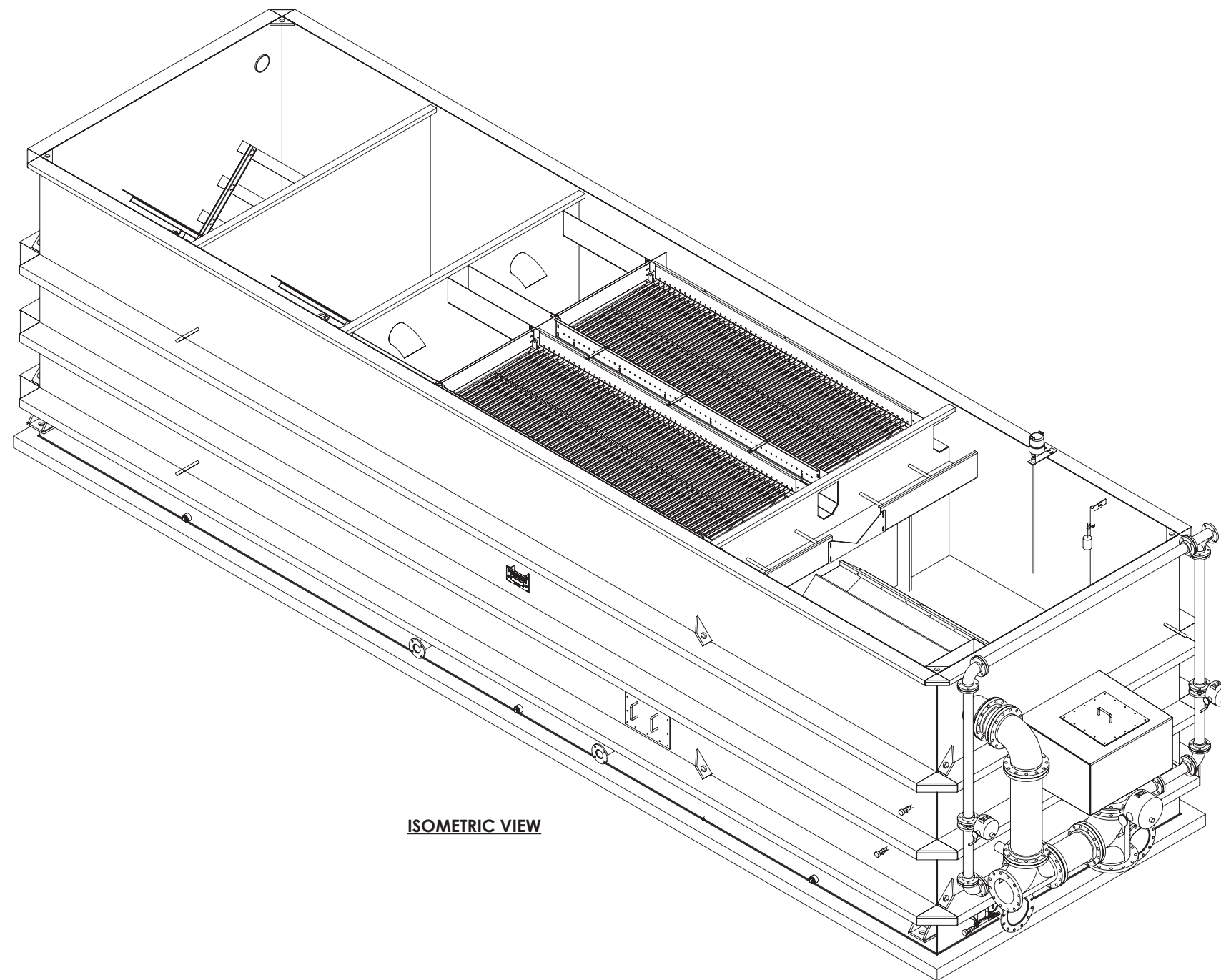


TONKAWATER™
A U.S. WATER BRAND

Unitized Treatment System™
Uni-Pac™ Parallel Plates / Filter
Catalog Drawing



ISOMETRIC VIEW

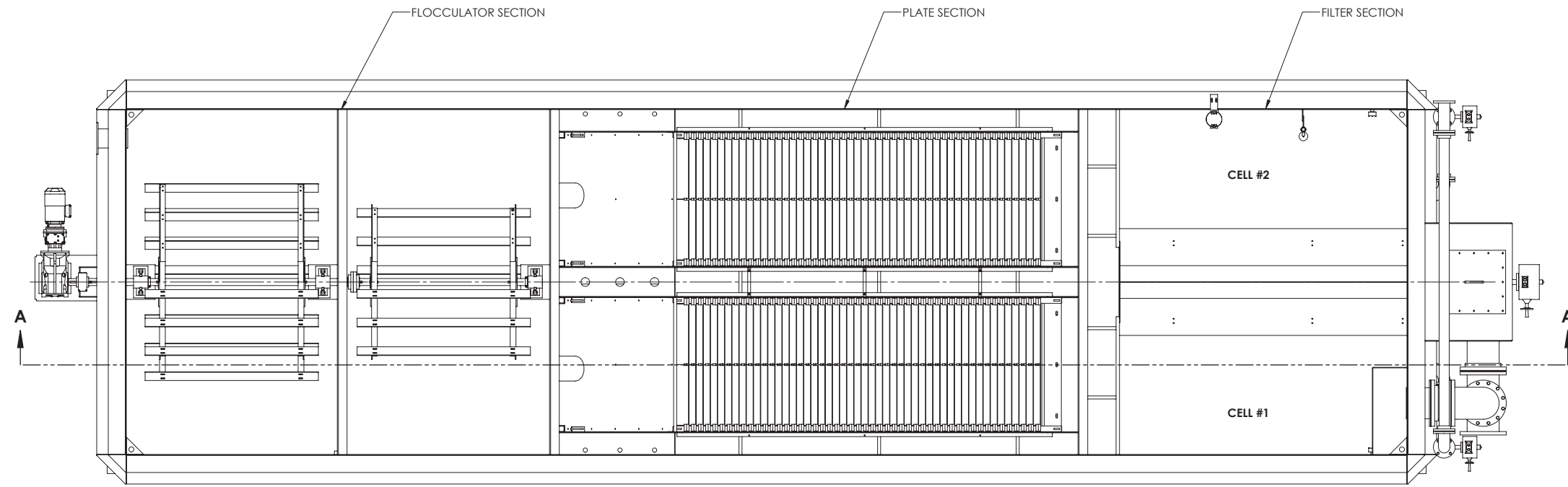
| | | | | | |
|------------------------|------------------------|---------------------------|--|-------------|--|
| DRAWING SIZE: D | | | ALL RIGHTS TO MANUFACTURE, COPY, REPRODUCE OR DISPOSE OF THIS DRAWING OR ITS CONTENTS ARE RESERVED UNLESS OTHERWISE SPECIFIED IN WRITING BY TONKA EQUIPMENT COMPANY. DO NOT SCALE DRAWING | | |
| DRAWN BY: RAC | START DATE: 01/08/2014 | THICKNESS: | DWG. SCALE: 1:24 | LENGTH: 44" | |
| APPR. BY: | APPR. DATE: | APPROX. WEIGHT: 74131.776 | | | |

TONKAWATER™
A U.S. WATER BRAND

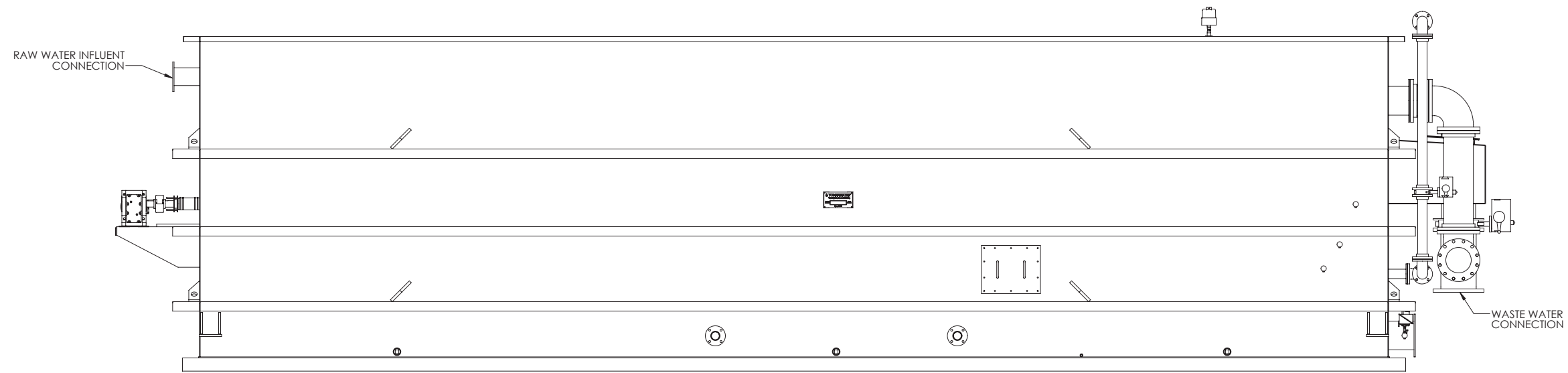
13305 WATERTOWER CIRCLE
PLYMOUTH, MN 55441
(763) 559-2837
www.tonkawater.com

UNITIZED TREATMENT SYSTEM™
UNI-PAC™ PARALLEL PLATES / FILTER
CATALOG DRAWING

| | |
|--------------------------|--------|
| SHEET NUMBER: 1 OF 3 | REV: 0 |
| DRAWING NUMBER: 00064579 | |



PLAN VIEW



FRONT ELEVATION

| | | |
|--|---------------------------|------------------------------|
| D | | |
| ALL RIGHTS TO MANUFACTURE, COPY, REPRODUCE OR DISPOSE OF THIS DRAWING OR ITS CONTENTS ARE RESERVED UNLESS OTHERWISE SPECIFIED IN WRITING BY TONKA EQUIPMENT COMPANY. DO NOT SCALE DRAWING | | |
| DRAWN BY: RAC | START DATE: 01/08/2014 | THICKNESS: |
| APPR. BY: | DWG. SCALE: 1:24 | LENGTH: 444" |
| | APPR. DATE: | APPROX. WEIGHT: 74131.776 |

TONKAWATER™
A U.S. WATER BRAND

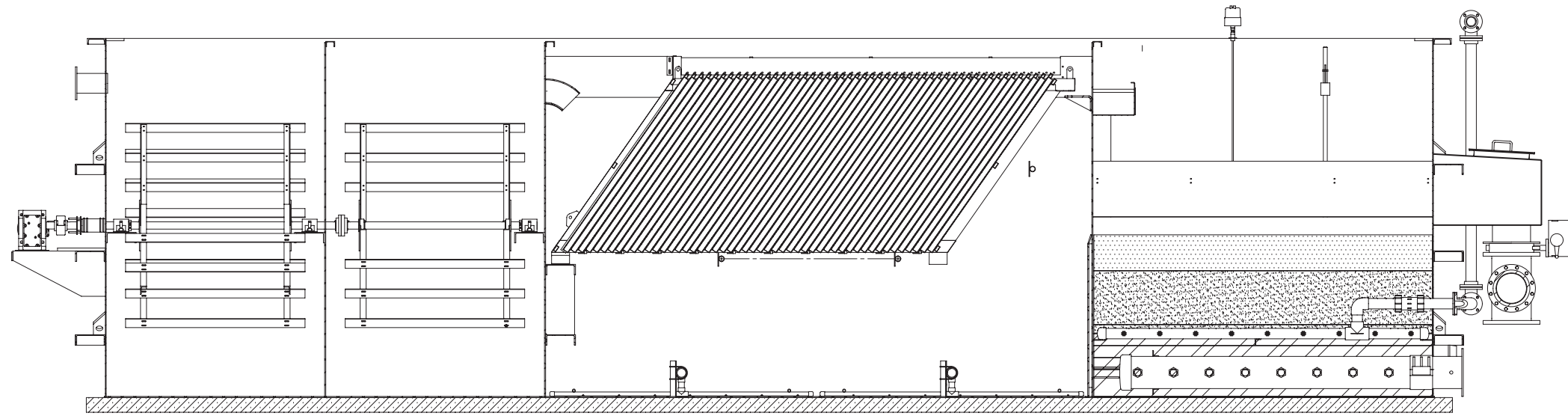
13305 WATERTOWER CIRCLE
PLYMOUTH, MN 55441
(763) 559-2837
www.tonkawater.com

UNITIZED TREATMENT SYSTEM™
UNI-PAC™ PARALLEL PLATES / FILTER
CATALOG DRAWING

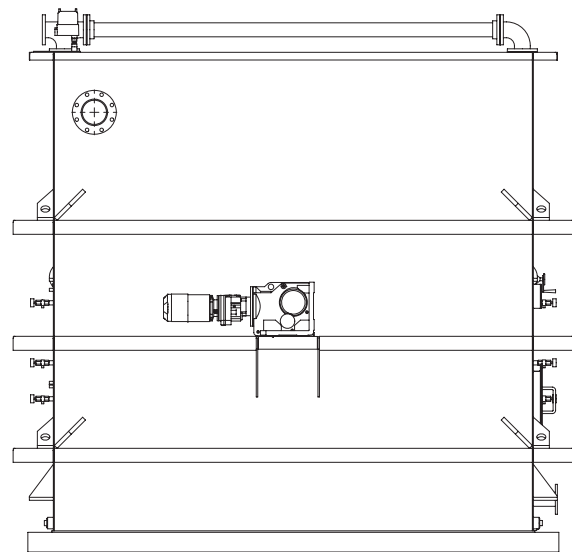
SHEET NUMBER:
2 OF 3

REV:
0

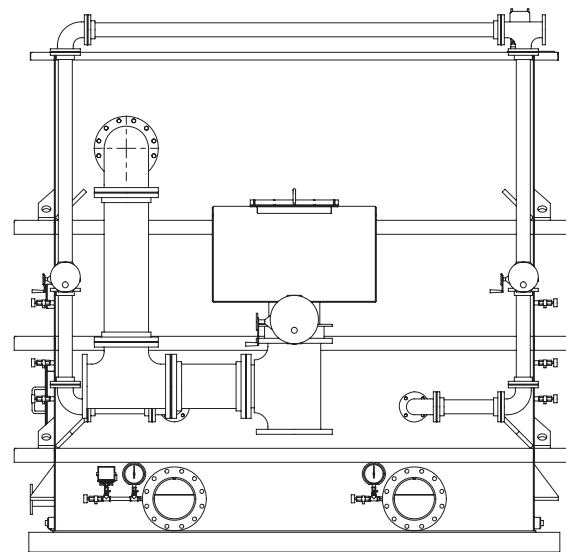
DRAWING NUMBER:
00064579



SECTION A-A



LEFT SIDE ELEVATION



RIGHT SIDE ELEVATION

| | | | |
|------------------|--|------------------------------|--|
| D | ALL RIGHTS TO MANUFACTURE, COPY, REPRODUCE OR DISPOSE OF THIS DRAWING OR ITS CONTENTS ARE RESERVED UNLESS OTHERWISE SPECIFIED IN WRITING BY TONKA EQUIPMENT COMPANY. DO NOT SCALE DRAWING | | |
| DRAWN BY: RAC | START DATE: 01/08/2014 | THICKNESS: | |
| | DWG. SCALE: 1:24 | LENGTH: 444" | |
| APPR. BY: | APPR. DATE: | APPROX. WEIGHT: 74131.776 | |

TONKAWATER™
A U.S. WATER BRAND

13305 WATERTOWER CIRCLE
PLYMOUTH, MN 55441
(763) 559-2837
www.tonkawater.com

UNITIZED TREATMENT SYSTEM™
UNI-PAC™ PARALLEL PLATES / FILTER
CATALOG DRAWING

SHEET NUMBER:
3 OF 3

REV:
0

DRAWING NUMBER:
00064579

Last Saved: Tuesday, March 31, 2015 12:46:03 PM